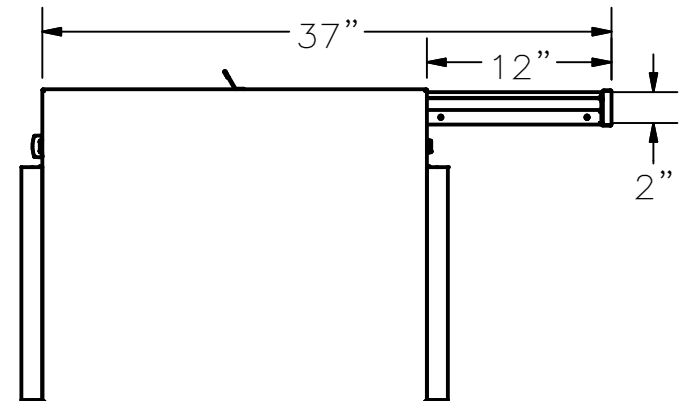
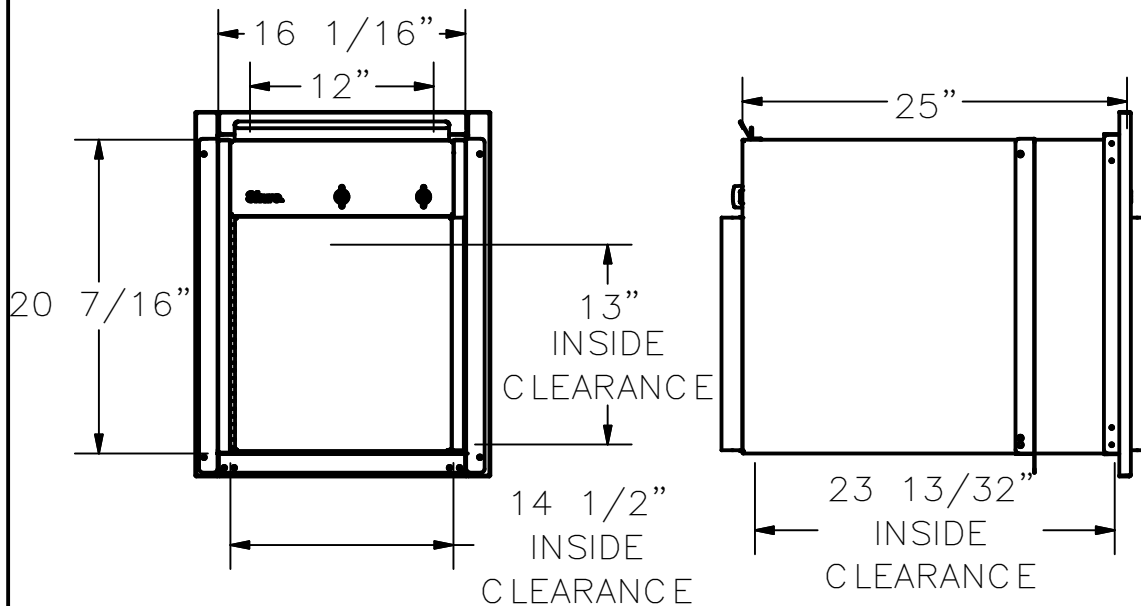
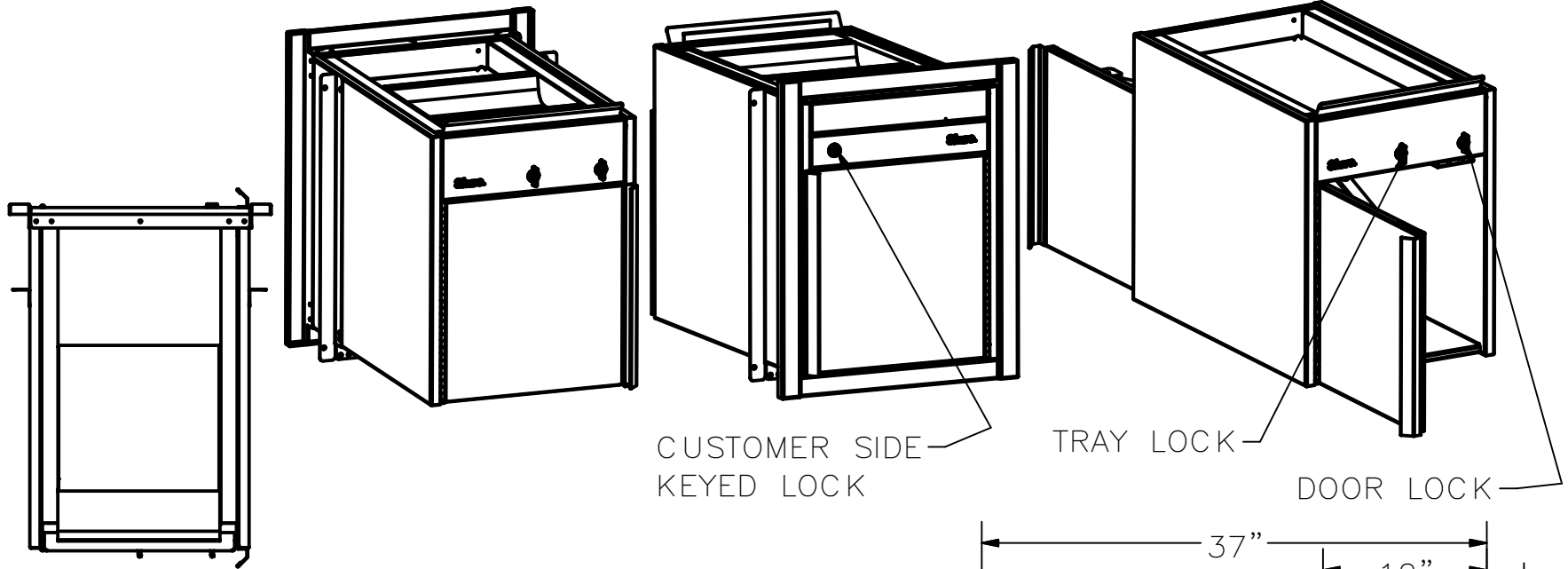


SPT355, PACKAGE PASSER

NOTE: ONLY 1 DOOR OPEN AT ALL TIMES



STANDARD TOLERANCES INCHES (EXCEPT AS NOTED)		
DECIMAL	FRACTIONAL	ANGULAR
±0.1	± 1/16"	± 2°
<p>Shure. Shure Manufacturing Corporation 1901 West Main Street Washington, Mo. 63090 U.S.A.</p>		
<p>This drawing is and includes information proprietary to Shure Manufacturing Corporation. All use is prohibited except by written consent.</p>		
DRAWN BY: MN 1/27/2020		DRAWING NO.: SK9527