

MODEL #SPT355 ASSEMBLY INSTRUCTIONS

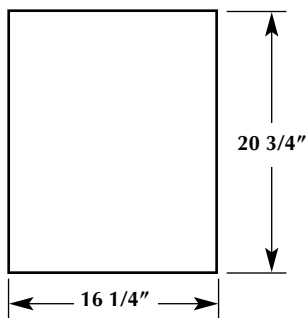


ER Series Package Passer

HARDWARE DESCRIPTION

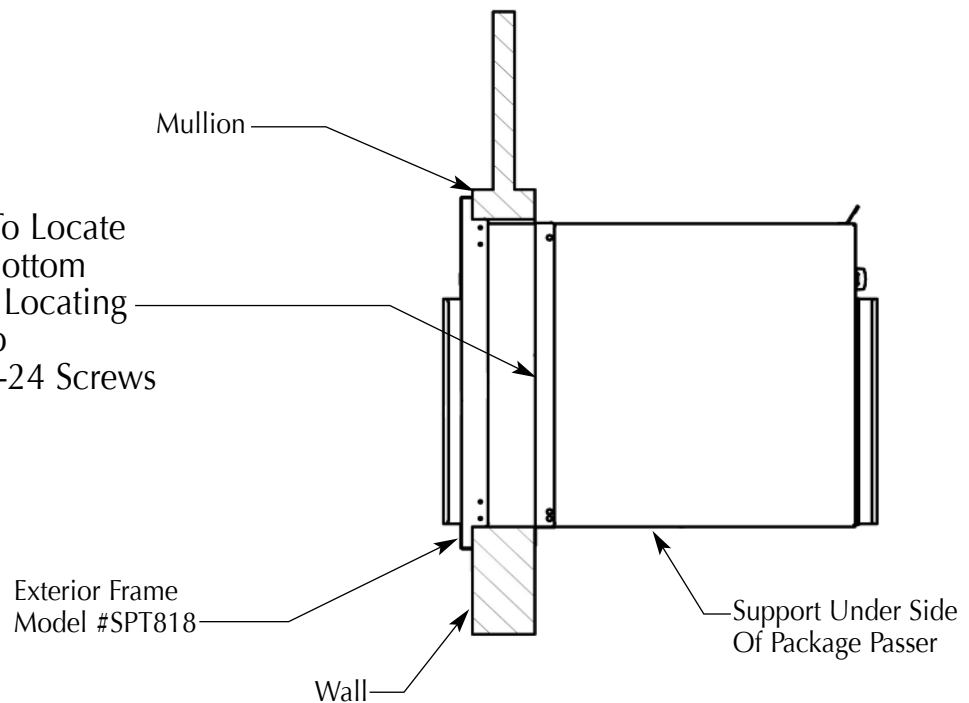
PART #	IMAGE	DESCRIPTION	QTY
0050156		10-24 x 3/8" Phillips Truss Head	18
3074280		Interior Trim Angle Bottom	1
3074791		Interior Trim Angle LH	1
3074792		Interior Trim Angle RH	1

MINIMUM WALL OPENING



ISOMETRIC VIEW

Use Trim Angles To Locate
Holes In Side & Bottom
Of Drawer. After Locating
Holes, Drill & Tap
(6) Holes For #10-24 Screws



Parts Bag - PBERS2
Assembly Instructions - AIERS2
V2 / 3-3-21 ©2021 Shure Manufacturing Corporation

