




ASSEMBLY INSTRUCTIONS

T-Wall Series



Thru-Wall Multi-Drawer Model #SPT198

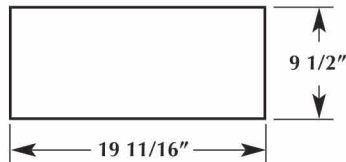
HARDWARE DESCRIPTION

PART #	IMAGE	DESCRIPTION	QTY
0050136		#10 x 3/4" Phillips Pan Head	4
0050966		#8 x 3/8" Phillips Truss Head	14
0052346		#8-32 x 3/8" Phillips Pan Head Thread Forming	1

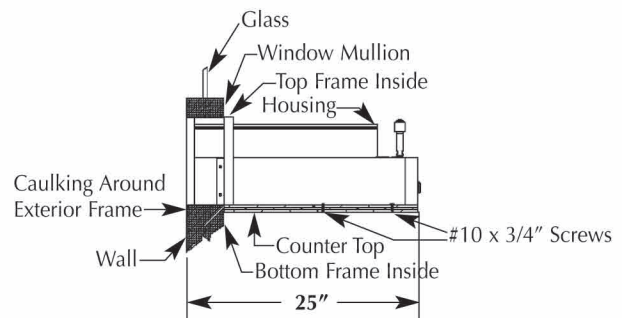


ASSEMBLY INSTRUCTIONS

REQUIRED WALL OPENING



Thru-Wall Multi-Drawer Model #SPT198



STEP 1

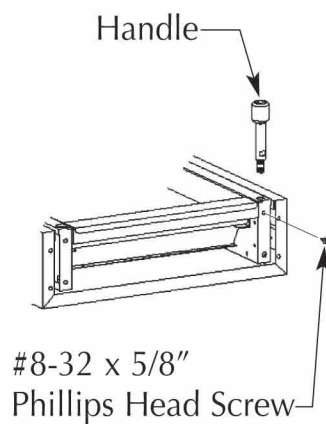
Insert Drawer Into Wall Opening From The Exterior.

STEP 2

Screw Handle Assembly Into Place, Hand Tighten.

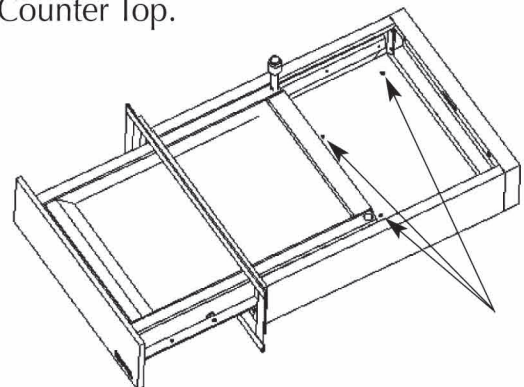
Depress Button & Open Drawer.

Install #8-32 x 5/16" Phillips Head Screw In Rear Side Of Panel & Tighten.



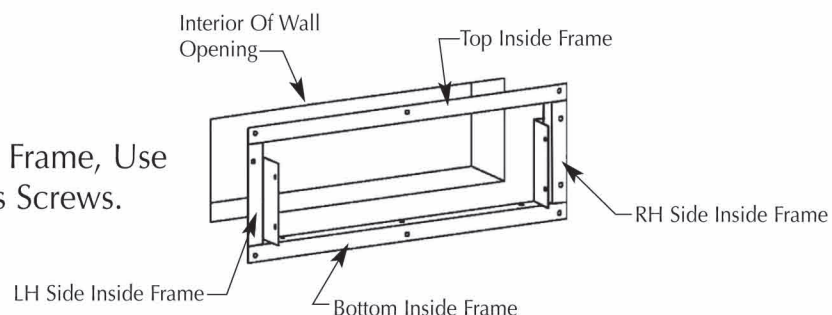
STEP 3

With Drawer Extended, Use #10 x 3/4" Screws To Attach Drawer Housing To Counter Top.



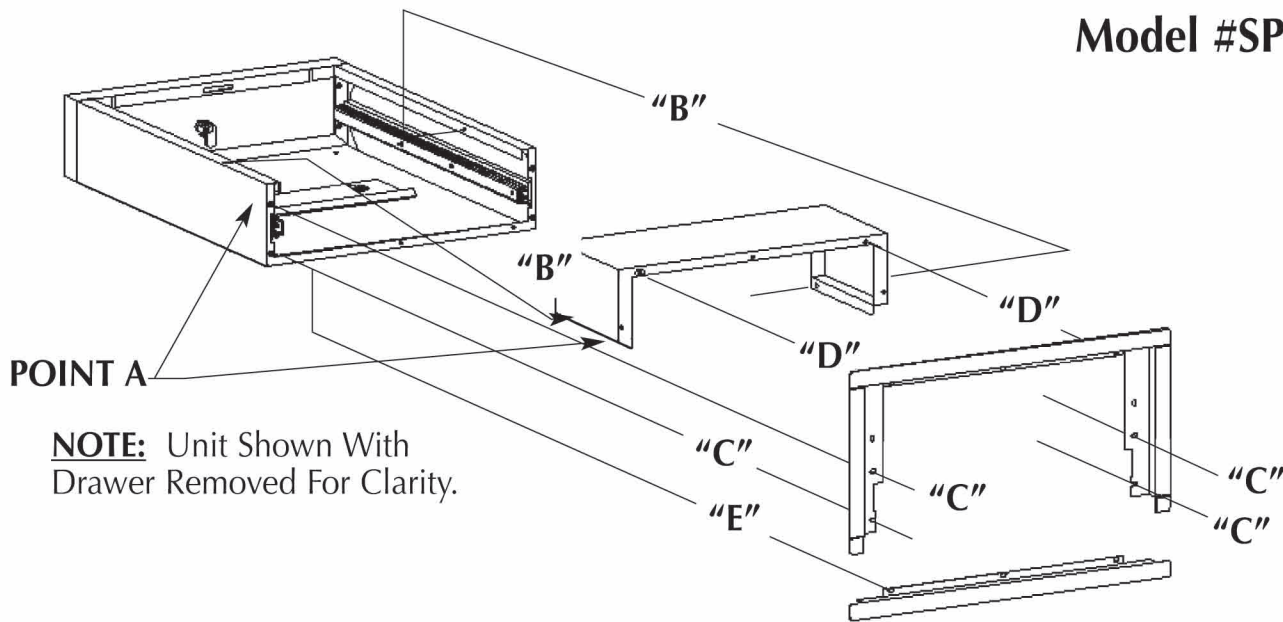
STEP 4

To Install Interior Frame, Use #8 x 3/8" Phillips Screws.



ASSEMBLY INSTRUCTIONS

Thru-Wall Multi-Drawer
Model #SPT198



NOTE: Unit Shown With
Drawer Removed For Clarity.

STEP 1: Set Shroud Cover On Drawer Body Holding The Front Of Shroud & Front Of Drawer Housing Flush (REF POINT A). Mark The Slot Location On The Inside Of The Housing & Drill .136 DIA. (#29 Drill) Hole In Housing (REF "B").

STEP 2: Set The Shroud Back On The Housing Using The Two Holes You Just Drilled. Attach The Shroud To The Housing With (2) #8 Self-Drilling Screws.

Mount The 3 Piece Front Trim To The Housing Using (4) 8-32 Screws (REF "C"). Use (3) 8-32 Screws To Attach The Shroud Cover To The 3 Piece Front Trim (REF "D").

Now Mount The Bottom Piece Of The Front Trim To The Drawer Housing Using (3) 8-32 Screws (REF "E").

NOTE: Mounting The Shroud To The Drawer Is A Customer Option. If Shroud Is Not Desired, Follow The Instructions For Mounting The Front Trim Pieces.

