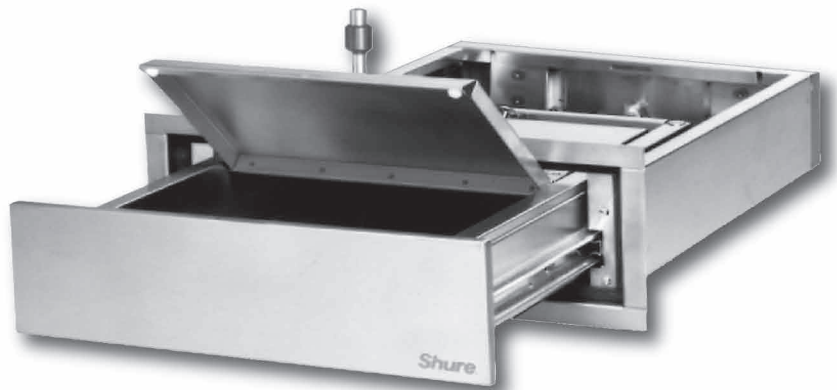


ASSEMBLY INSTRUCTIONS

T-Wall Series






Thru-Wall Drawer
Model #SPT150



Thru-Wall Drawer
Model #SPT160

HARDWARE DESCRIPTION

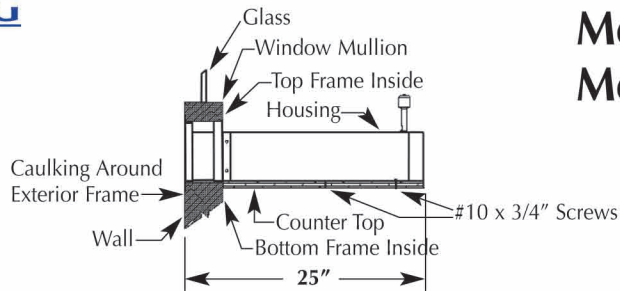
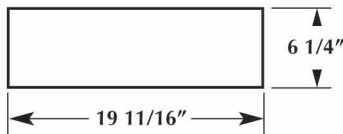
PART #	IMAGE	DESCRIPTION	QTY
0050136		#10 x 3/4" Phillips Pan Head	4
0050966		#8 x 3/8" Phillips Truss Head	14
0052346		#8-32 x 3/8" Phillips Pan Head Thread Forming	1



ASSEMBLY INSTRUCTIONS

Thru-Wall Drawers
Model #SPT150
Model #SPT160

REQUIRED WALL OPENING



STEP 1

Insert Drawer Into Wall Opening From The Exterior.

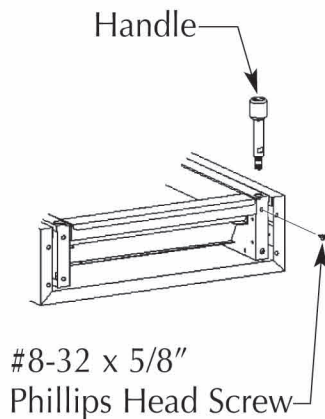
NOTE: Counter Must Be Supported At Points Adjacent To Drawer Housing

STEP 2

Screw Handle Assembly Into Place, Hand Tighten.

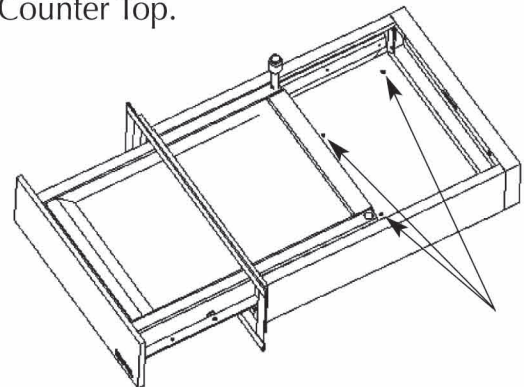
Depress Button & Open Drawer.

Install #8-32 x 5/16" Phillips Head Screw In Rear Side Of Panel & Tighten.



STEP 3

With Drawer Extended, Use #10 x 3/4" Screws To Attach Drawer Housing To Counter Top.



STEP 4

To Install Interior Frame, Use #8 x 3/8" Phillips Screws.

