


ASSEMBLY INSTRUCTIONS

DT Series



Sliding Deal Tray
Model #SPT094

HARDWARE DESCRIPTION

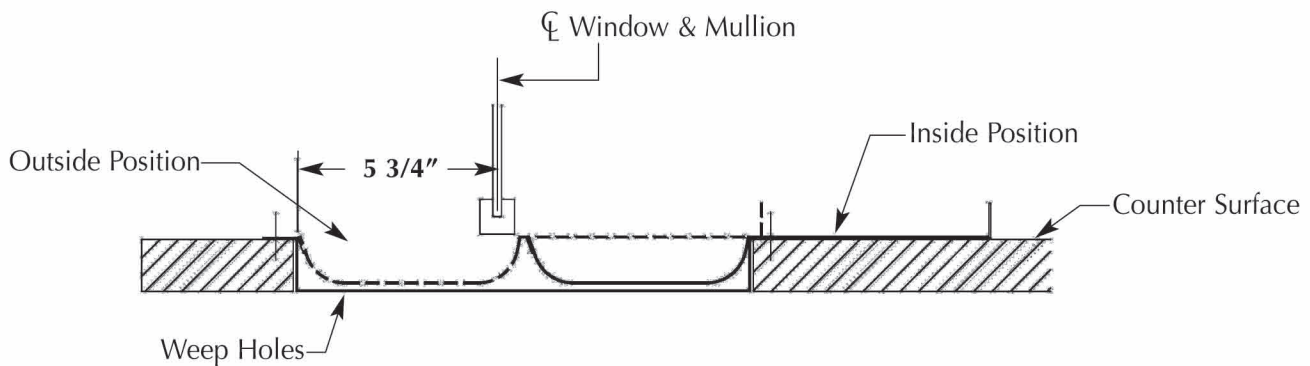
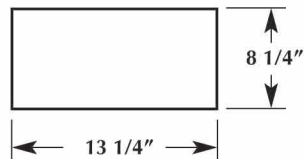
PART #	IMAGE	DESCRIPTION	QTY
0050966		#8 x 3/8" Phillips Truss Head Screw	8



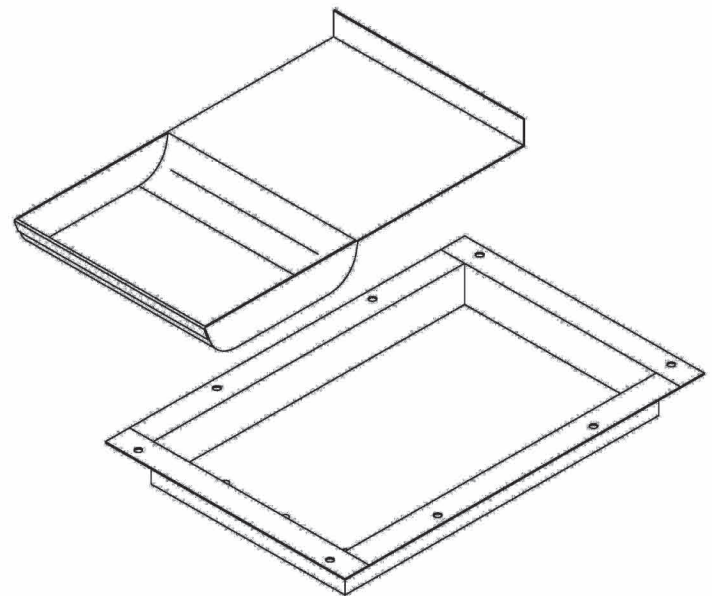
ASSEMBLY INSTRUCTIONS

REQUIRED COUNTER TOP OPENING

Sliding Deal Tray
Model #SPT094



SECTION VIEW



- STEP 1:** Insert Tray Into Counter Top Cut-Out.
- STEP 2:** Fasten To Counter Top Using 8 x 3/8" Phillips Head Screws.

