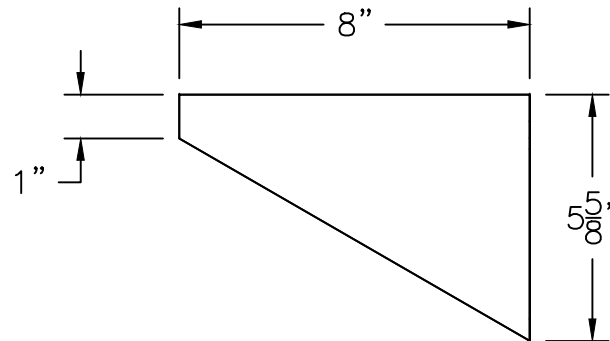
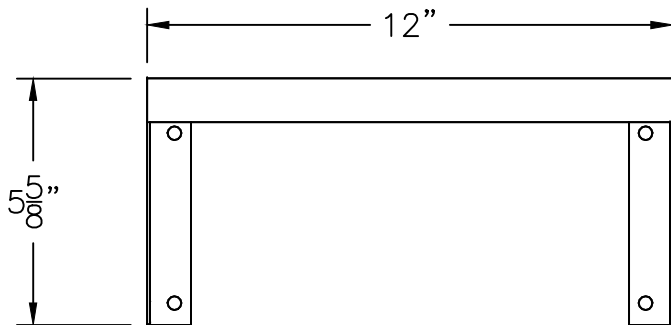
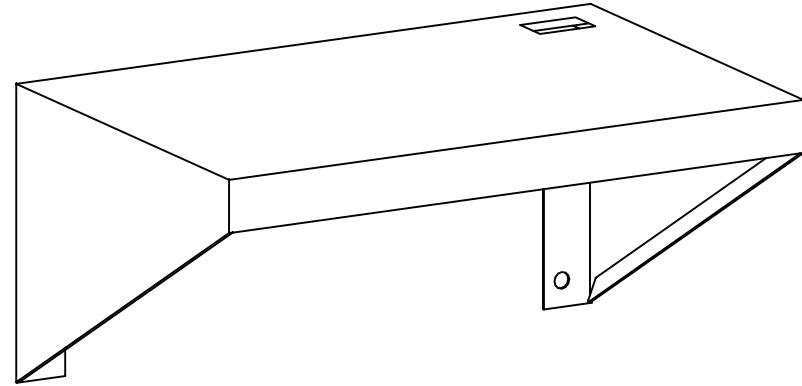
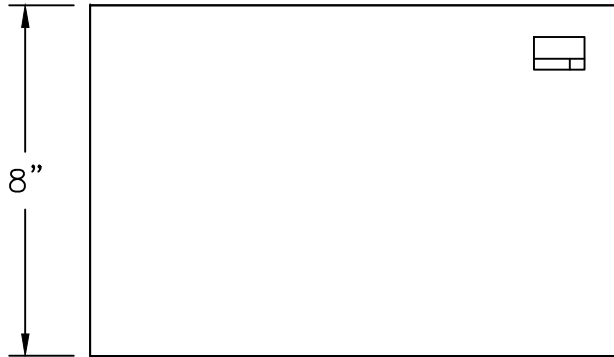


SHURESAFE SPT146 WALL MOUNTED CUSTOMER CONVENIENCE SHELF



SHELF MADE FROM 20 GA. STAINLESS STEEL
TYPE 304, #4 FINISH

STANDARD TOLERANCES INCHES
(EXCEPT AS NOTED)

DECIMAL	FRACTIONAL	ANGULAR
±0.1	±1/16"	±2°

Shure Shure Manufacturing Corporation
1901 West Main Street
Washington, Missouri 63090 U.S.A.

This drawing is and includes information proprietary to Shure Manufacturing Corporation. All use is prohibited except by written consent.

DRAWN BY: AH 07-30-15	DRAWING NO. SK8893
--------------------------	-----------------------