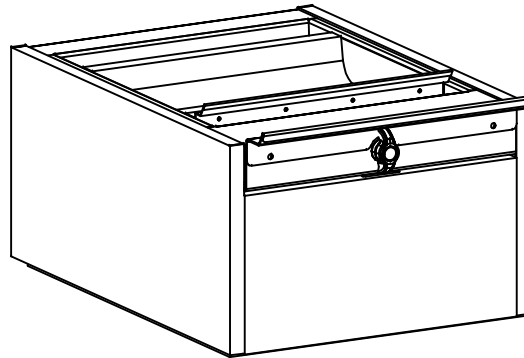
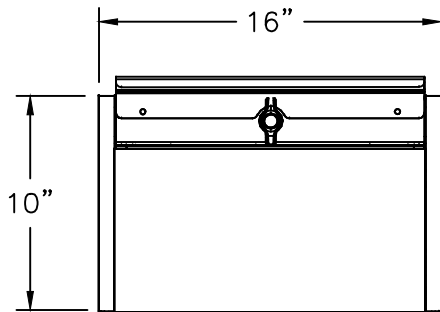
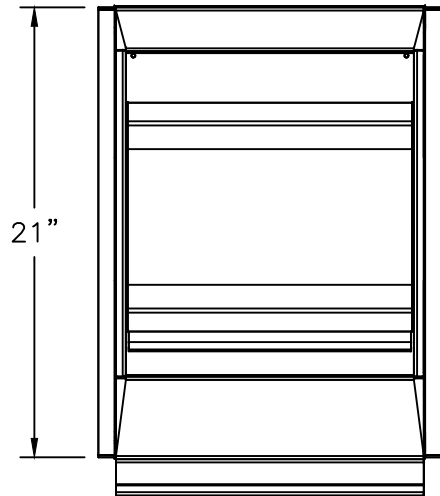
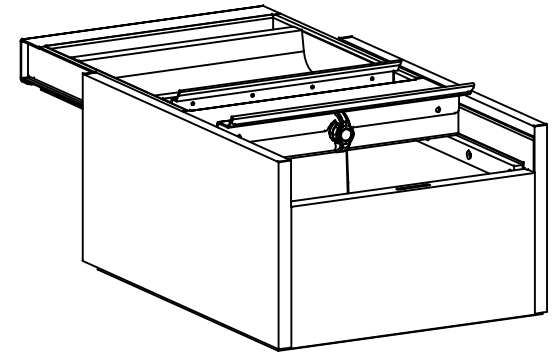


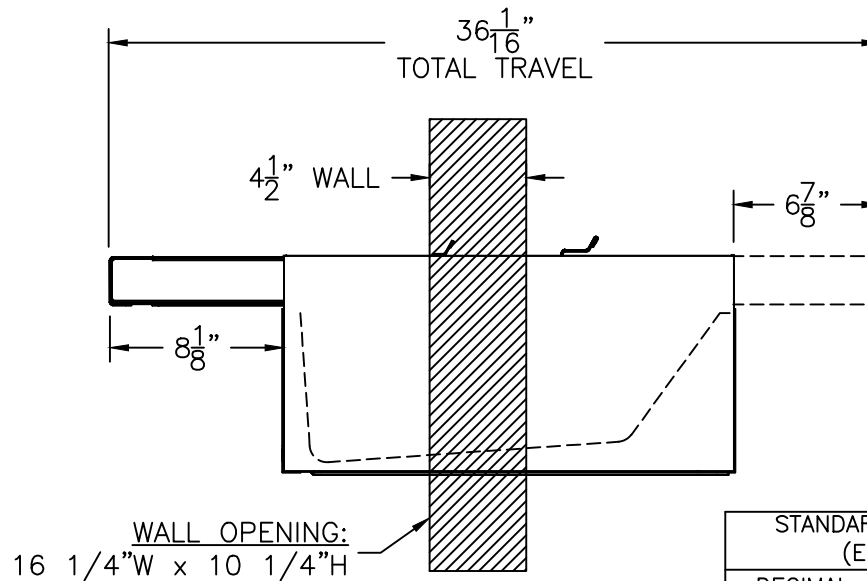
# SHURESAFE SPT145 DUO DRAWER



DRAWER SHOWN IN LOCKED POSITION  
(OPERATOR SIDE SHOWN)



DRAWER SHOWN WITH TRAY EXPOSING  
TRANSACTION AREA (OPERATOR SIDE)



**MATERIAL:**  
DRAWER IS FABRICATED USING  
VARIOUS GAUGES OF STAINLESS  
STEEL TYPES 304 AND 430  
WITH #4 FINISH.

STANDARD TOLERANCES INCHES  
(EXCEPT AS NOTED)

DECIMAL	FRACTIONAL	ANGULAR
±0.1	±1/16"	±2°

**Shure** Shure Manufacturing Corporation  
1901 West Main Street  
Washington, Missouri 63090 U.S.A.

This drawing is and includes information proprietary to  
Shure Manufacturing Corporation. All use is prohibited  
except by written consent.

DRAWN BY: AH 07-29-15	DRAWING NO. SK8884
--------------------------	-----------------------