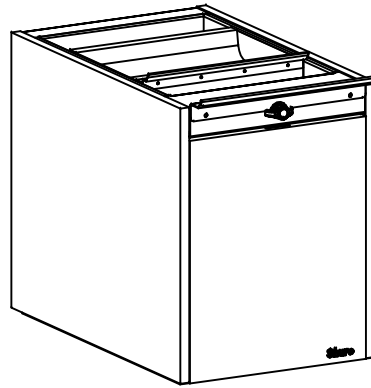
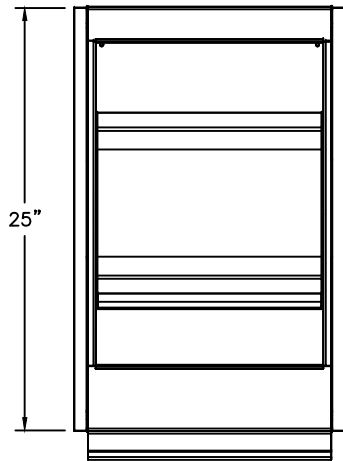
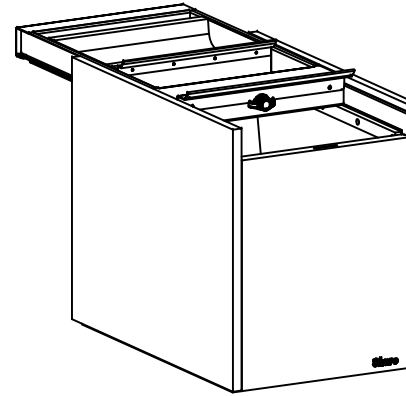


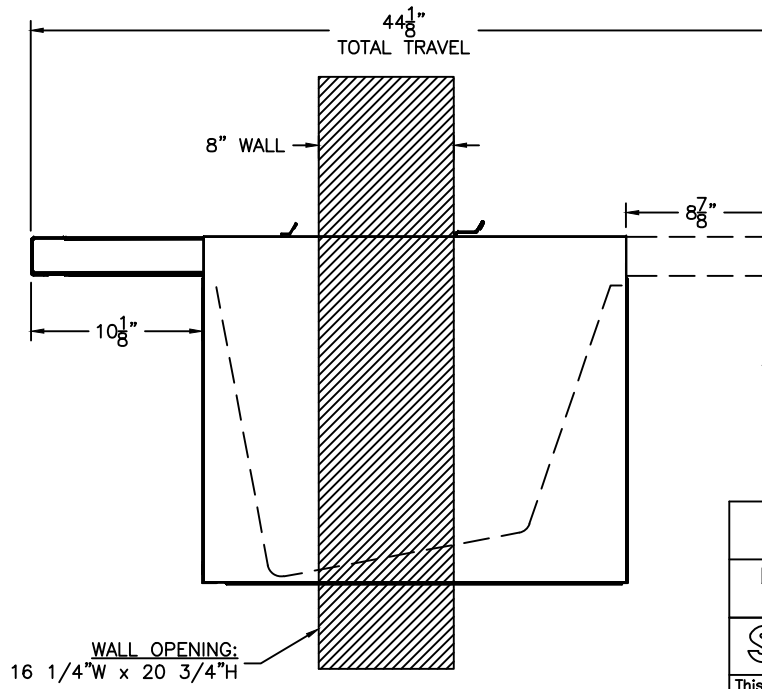
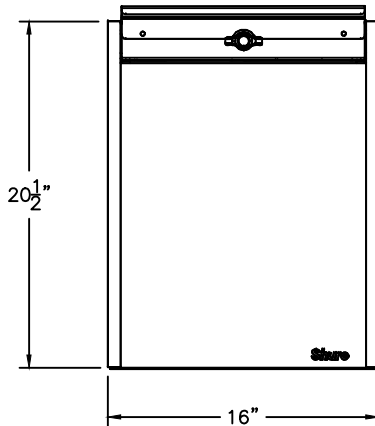
SHURESAFE SPT155 DUO DRAWER



DRAWER SHOWN IN LOCKED POSITION
(OPERATOR SIDE SHOWN)



DRAWER SHOWN WITH TRAY EXPOSING
TRANSACTION AREA (OPERATOR SIDE)



MATERIAL:
DRAWER IS FABRICATED USING
VARIOUS GAUGES OF STAINLESS
STEEL TYPES 304 AND 430
WITH #4 FINISH.

STANDARD TOLERANCES INCHES (EXCEPT AS NOTED)		
DECIMAL	FRACTIONAL	ANGULAR
±0.1	±1/16"	±2°

Shure Shure Manufacturing Corporation
1901 West Main Street
Washington, Missouri 63090 U.S.A.

This drawing is and includes information proprietary to Shure Manufacturing Corporation. All use is prohibited except by written consent.

DRAWN BY: AH 07-29-15	DRAWING NO. SK8883
--------------------------	-----------------------