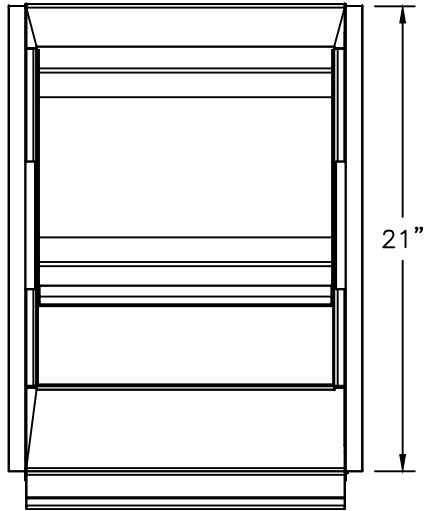
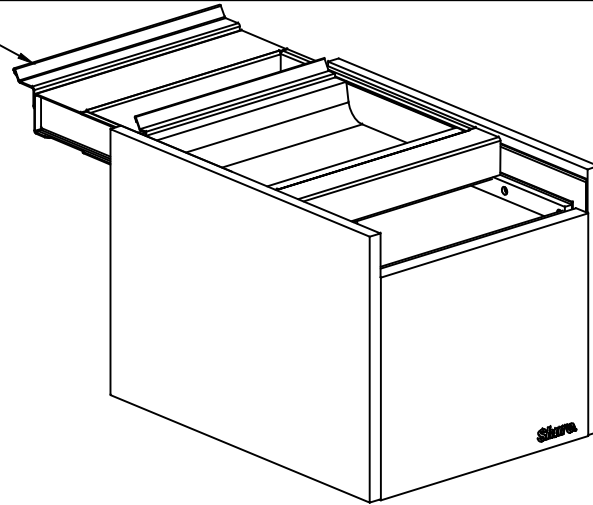


SHURESAFE SPT183 DUO-DRAWER

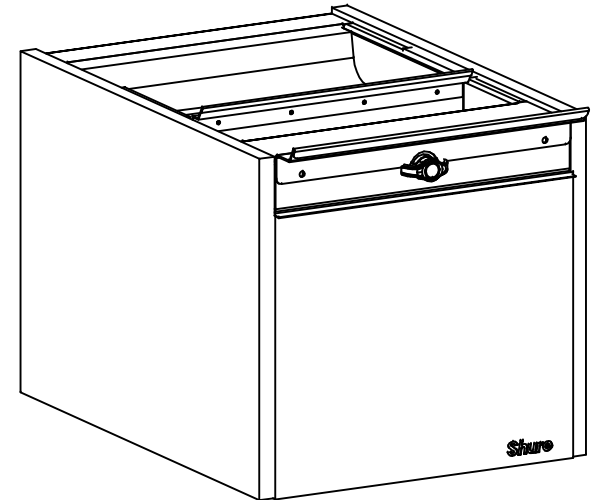
HANDLE MADE FROM STEEL AND PAINTED BLACK



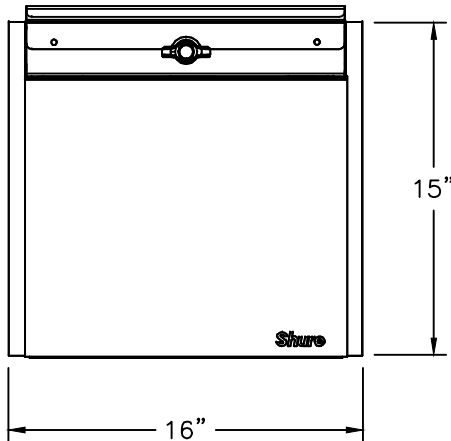
21"



DRAWER SHOWN WITH TRAY EXPOSING TRANSACTION AREA (CUSTOMER SIDE)

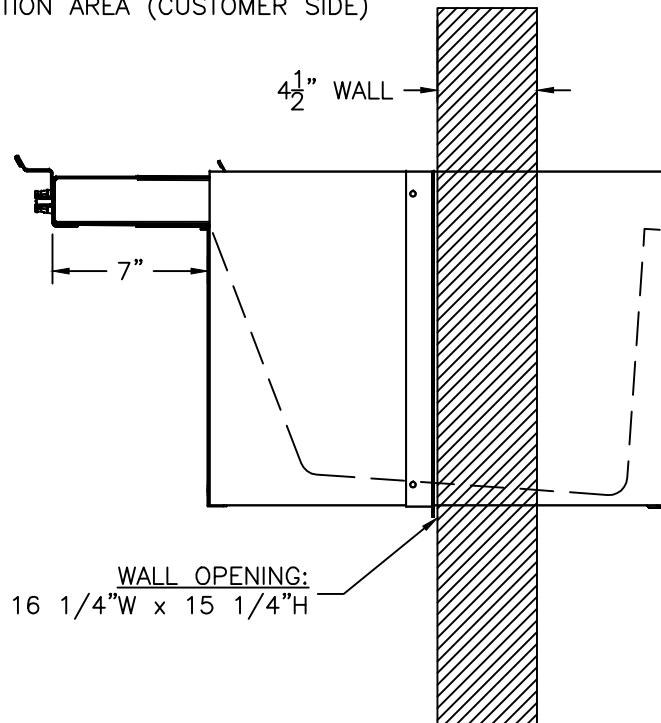


DRAWER SHOWN IN LOCKED POSITION (OPERATOR SIDE SHOWN)



15"

16"



4 1/2" WALL

WALL OPENING:

16 1/4"W x 15 1/4"H

MATERIAL:
DRAWER IS FABRICATED USING VARIOUS GAUGES OF STAINLESS STEEL TYPES 304 AND 430 WITH #4 FINISH.

STANDARD TOLERANCES INCHES
(EXCEPT AS NOTED)

DECIMAL	FRACTIONAL	ANGULAR
±0.1	±1/16"	±2°

Shure Shure Manufacturing Corporation
1901 West Main Street
Washington, Missouri 63090 U.S.A.

This drawing is and includes information proprietary to Shure Manufacturing Corporation. All use is prohibited except by written consent.

DRAWN BY: AH 07-24-15	DRAWING NO. SK8877
--------------------------	-----------------------