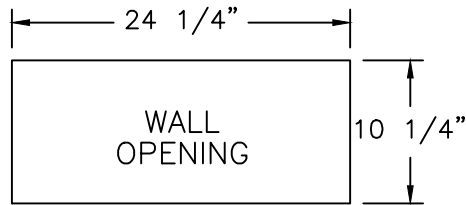
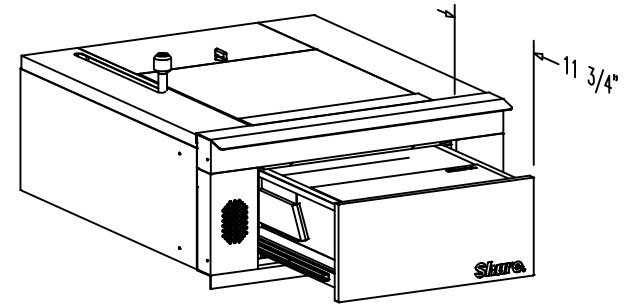
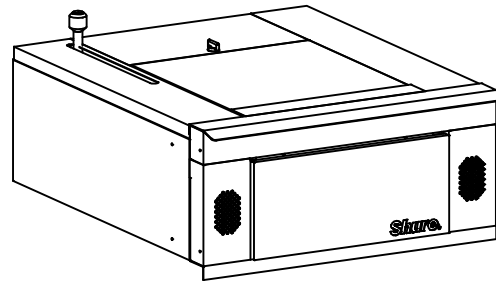
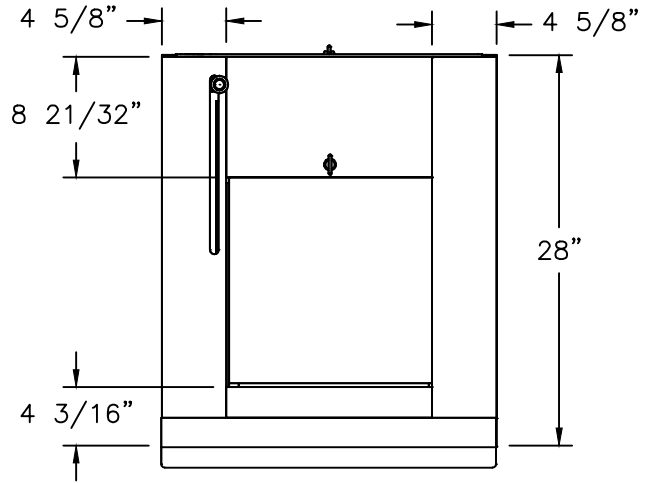
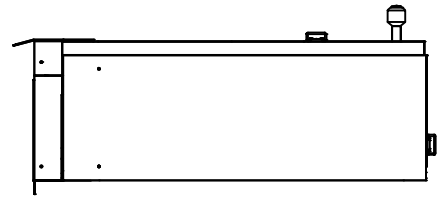
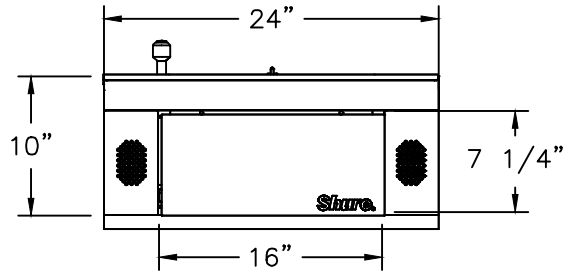


SPT330 PASS-THRU SECURITY DRAWER FOR 4" WALL



NOTES:
 UL® APPROVED LEVEL 3 BULLET RESISTANT.
 DRAWER MADE OF STAINLESS STEEL

MATERIAL:
 DRAWER IS FABRICATED USING
 VARIOUS GAUGES OF STAINLESS
 STEEL TYPES 304 AND 430
 WITH #4 FINISH.



STANDARD TOLERANCES INCHES (EXCEPT AS NOTED)		
DECIMAL ±0.1	FRACTIONAL ±1/16"	ANGULAR ±2°
Shure Manufacturing Corporation 1901 West Main Street Washington, Missouri 63090 U.S.A.		
This drawing is and includes information proprietary to Shure Manufacturing Corporation. All use is prohibited except by written consent.		
DRAWN BY: MN 06-22-10		DRAWING NO. SK8183