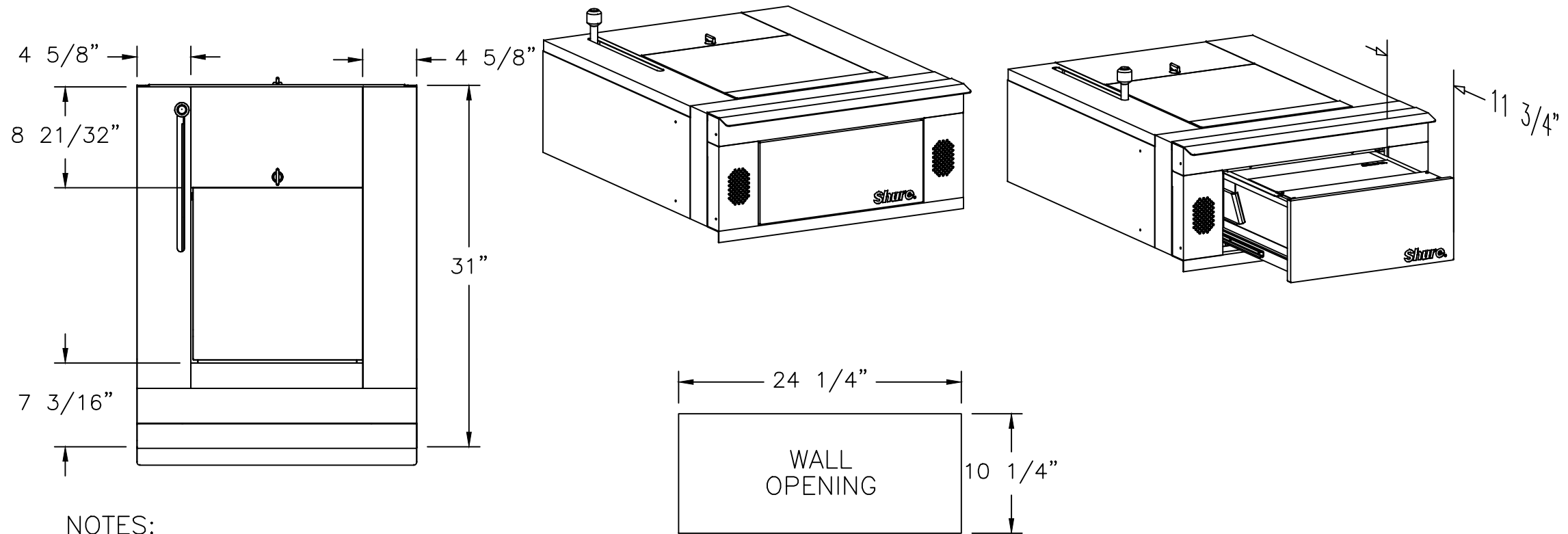
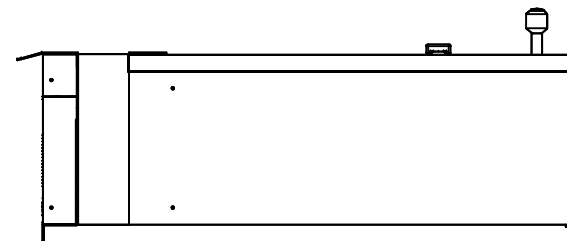
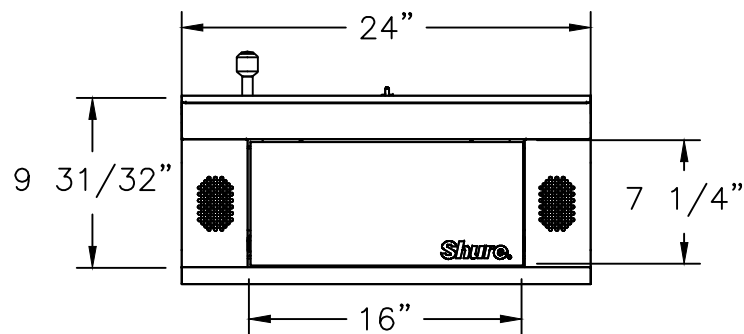



# SPT217 EXTENDED PASS-THRU SECURITY DRAWER FOR 8" WALL



NOTES:  
 DRAWER TAGGED: PCKG-3  
 LEVEL-3 BULLET RESISTANCE  
 DRAWER MADE OF STAINLESS STEEL



STANDARD TOLERANCES INCHES (EXCEPT AS NOTED)		
DECIMAL	FRACTIONAL	ANGULAR
±0.1	±1/16"	±2°
 Shure Manufacturing Corporation 1901 West Main Street Washington, Missouri 63090 U.S.A.		
This drawing is and includes information proprietary to Shure Manufacturing Corporation. All use is prohibited except by written consent.		
DRAWN BY:		DRAWING NO.
MN 08-19-09		SK7990A