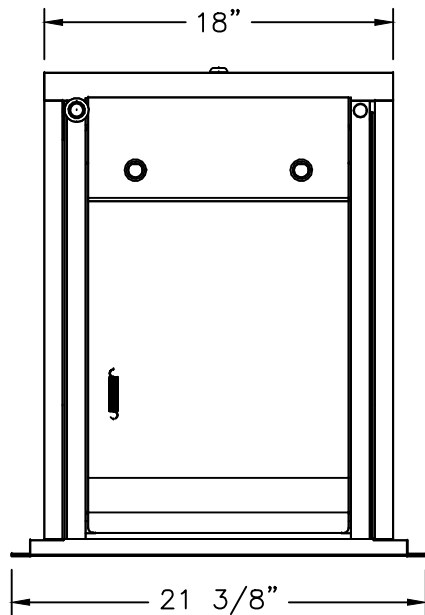
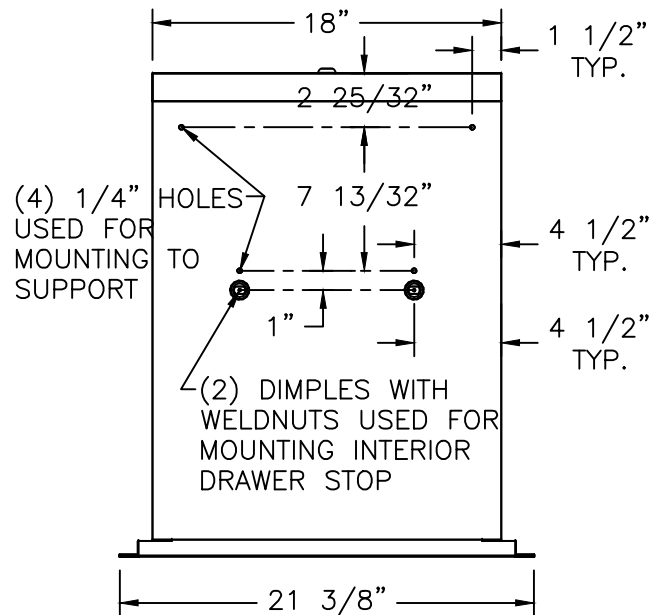


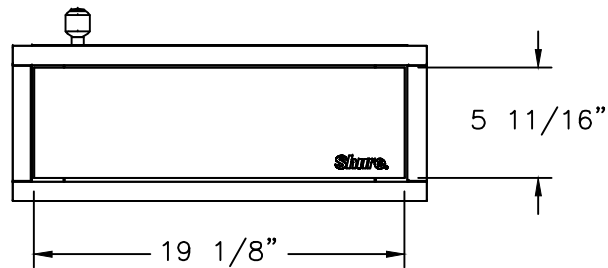
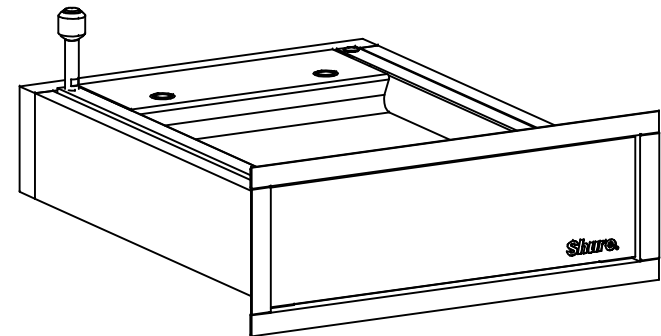
# SHURESAFE SPT150 PASS-THRU DRAWER



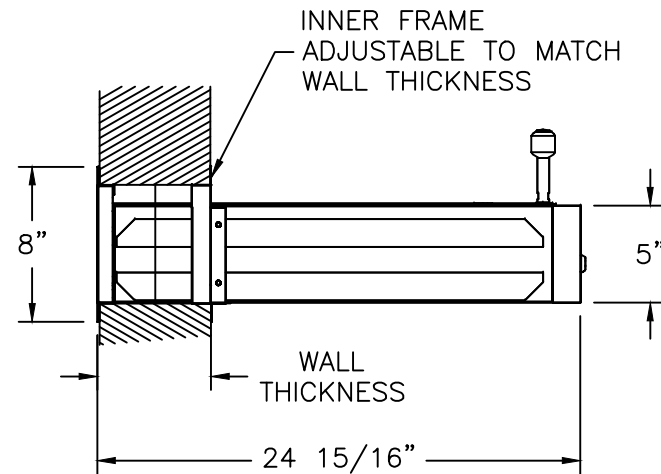
TOP VIEW



BOTTOM VIEW



FRONT VIEW



STANDARD TOLERANCES INCHES  
(EXCEPT AS NOTED)

DECIMAL	FRACTIONAL	ANGULAR
±0.1	±1/16"	±2°

**Shure**®  
Shure Manufacturing Corporation  
1901 West Main Street  
Washington, Missouri 63090 U.S.A.

This drawing is and includes information proprietary to Shure Manufacturing Corporation. All use is prohibited except by written consent.

DRAWN BY: MN 02-29-12	DRAWING NO. SK7047A
--------------------------	------------------------