

## ASSEMBLY INSTRUCTIONS

### ER Series



Easy Reach Drawer  
Model #SPT300





Easy Reach Drawer  
Model #SPT301



Easy Reach Drawer With  
High-Rise Change Tray  
Model #SPT302

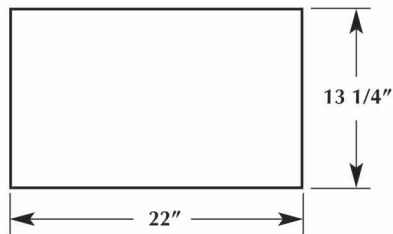
### HARDWARE DESCRIPTION

PART #	IMAGE	DESCRIPTION	QTY
0052346		#8-32 x 3/8" Phillips Pan Head Thread Forming	1
190311		Handle	1

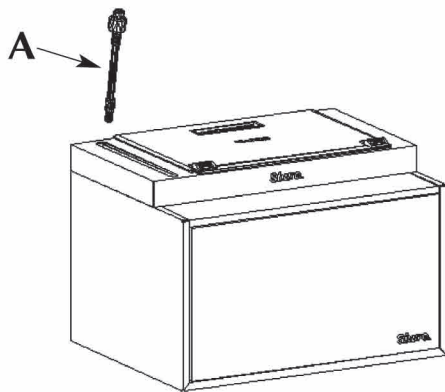


## ASSEMBLY INSTRUCTIONS

### REQUIRED WALL OPENING

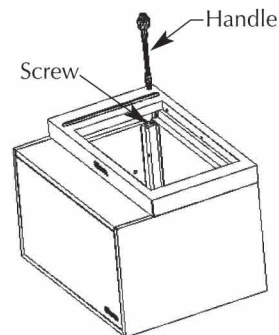


Easy Reach Drawers  
Model #SPT300  
Model #SPT301  
Model #SPT302

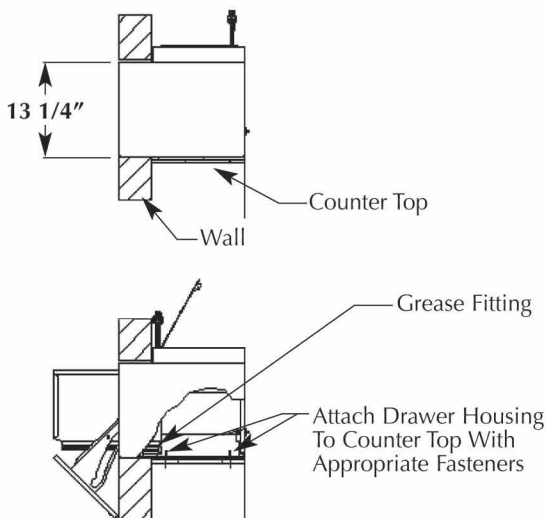


Screw Handle Assembly Into Place & Hand Tighten. Install #8-32 x 5/16" Screw In The Top Hole On The Brass Housing & Tighten. Depress Button & Open drawer. **NOTE:** The Drawer Lid Must Be Closed & The Front Must Be On Edge Of Table Or Installed In The Wall For The Drawer To Be Opened.

Insert Handle Or Screw Driver In Slot For Handle & Pry Door Catch Lever Back (Detail A). When Prying Back Lever, Lift Up On Lid. After Lid Is Open, Remove Tape On Top Of The Brass Block Then Screw In Handle.



**NOTE:** Counter Must Be Supported At Points Adjacent To Drawer Housing



Slide The Drawer Through The Opening In The Wall. After Setting Drawer In Final Position, Push The Drawer Out & Open The Top Lid To Access Mounting Holes To Mount The Drawer To The Counter Top. Caulk Around The Outside Of The Drawer Housing.

**NOTE:** The Drawer Slide Needs To Be Greased A Minimum Of Every 6 Months. Lithium Soap Based Grease No. 2 Is Recommended. Open The Drawer To Access The Grease Fitting.



## ASSEMBLY INSTRUCTIONS

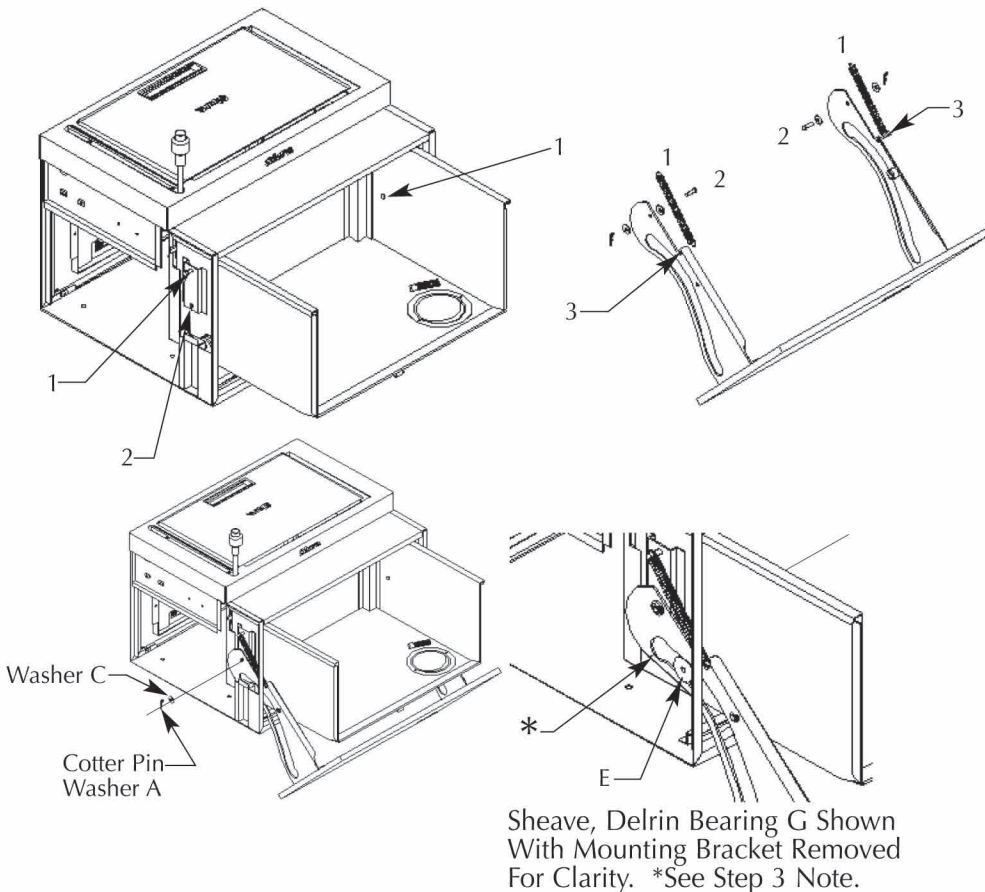
### REPLACEMENT DOOR

Easy Reach Drawers

Model #SPT300

Model #SPT301

Model #SPT302

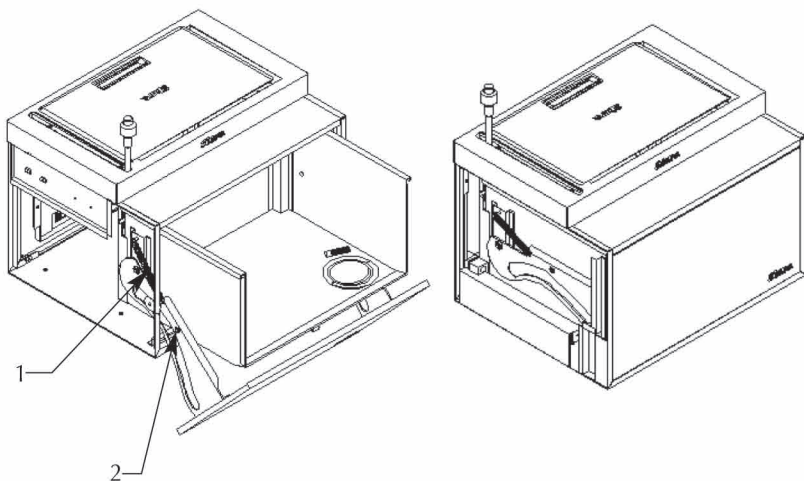


**STEP 1:** Attach Spring D To Shoulder Bolt On Drawer Bucket

**STEP 2:** Close The Drawer The Attach Both Arms To The Sheave, Delrin Bearing E Mounted To The Side Of The Housing. (\*NOTE: The Slot On The Arm Has A Larger Opening On The End Opposite Of The Door To Slide Over The Rollers.) Now Align The Hole On The Arm With The Hole In The Bucket & Using Clevis Pin B, Go From The Inside Through The Bucket. Place A Nylon Washer C Between The Bucket & The Arm & One Between The Arm & Cotter Pin A.

**STEP 3:** After Both Arms Are Attached, Hook The End Of The Spring D To The Hole In The Arms.

### REPLACEMENT DOOR SPRING



**STEP 1:** Attach Spring To Shoulder Bolt On Drawer Bucket

**STEP 2:** Hook The End Of The Spring To The Hole In The Arms

**STEP 3:** Repeat The Same Process On The Other Side

**NOTE:** You Must Replace BOTH Springs.



Door Spring  
Part #0016616

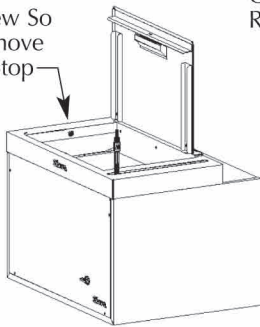


## ASSEMBLY INSTRUCTIONS

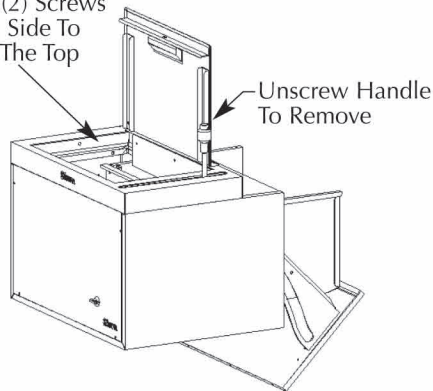
### FIELD CONVERSION FROM RH UNIT TO LH UNIT

Easy Reach Drawers  
Model #SPT300  
Model #SPT302

Remove Screw So You Can Remove The Bucket Stop

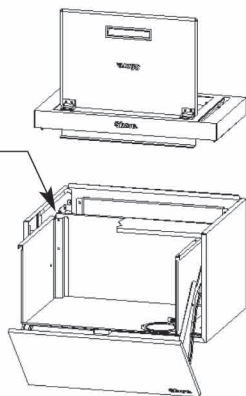


Remove (2) Screws On Each Side To Remove The Top

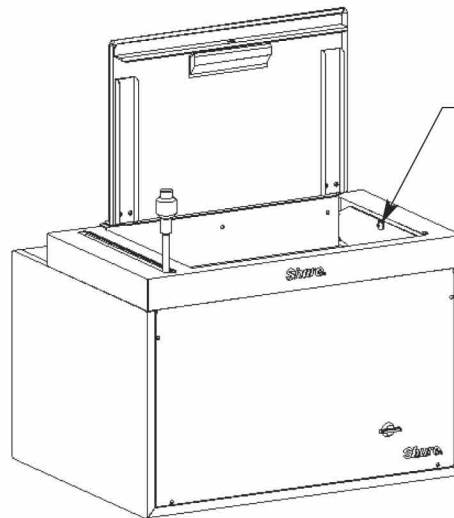
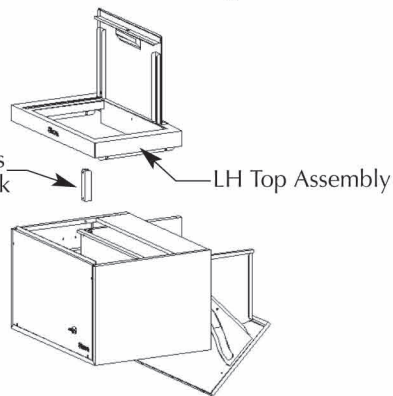


Unscrew Handle To Remove

Before Installing New Top, Remove Screw Holding Brass Block In Place & Move To The Opposite Side Of The Bucket



Brass Block



After Attaching The Top Assembly, Attach The Bucket Stop That Came With The New Top On This Side Of The Drawer.

