

ASSEMBLY INSTRUCTIONS

Duo Series

Duo-Drawer®
Model #SPT155



HARDWARE DESCRIPTION

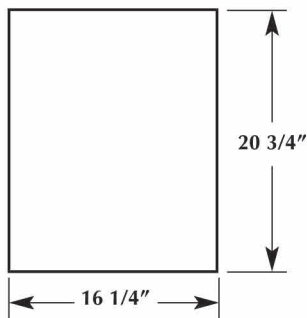
PART #	IMAGE	DESCRIPTION	QTY
0050156		10-24 x 3/8" Phillips Truss Head	18
3074280		Interior Trim Angle Bottom	1
3074791		Interior Trim Angle LH	1
3074792		Interior Trim Angle RH	1



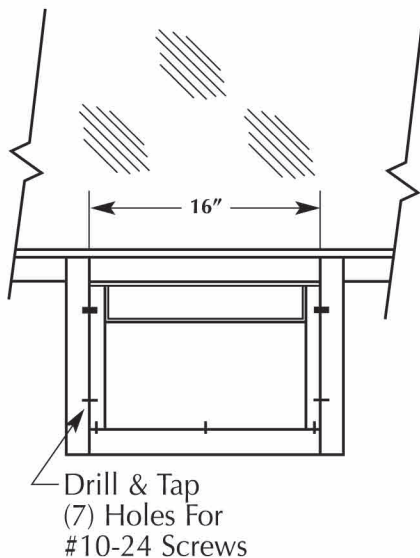
ASSEMBLY INSTRUCTIONS

Duo-Drawer®
Model #SPT155

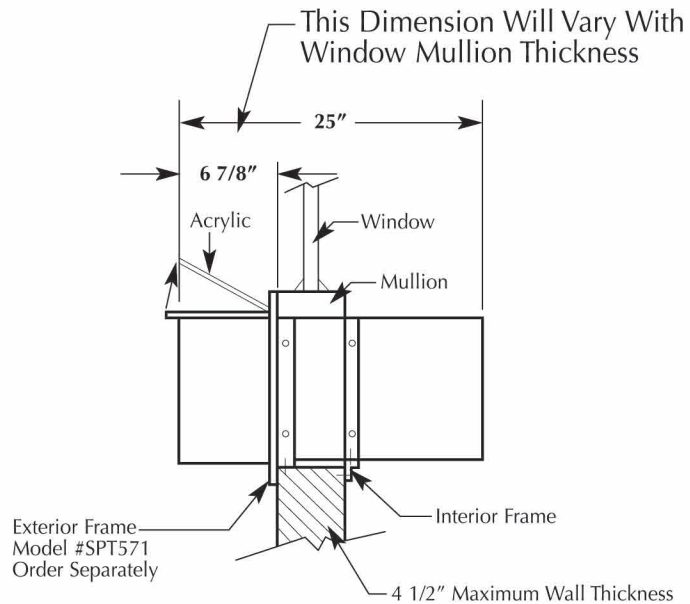
MINIMUM WALL OPENING



EXTERIOR VIEW SHOWN WITH OPTIONAL WEATHERGUARD FRAME



ISOMETRIC VIEW



INTERIOR VIEW

