

ASSEMBLY INSTRUCTIONS

REPLACEMENT TRAY ASSEMBLY

Duo Series



Duo-Drawer®
Model #SPT145



Duo-Drawer®
Model #SPT183



Duo-Drawer®
Model #SPT155



ASSEMBLY INSTRUCTIONS

REPLACEMENT TRAY ASSEMBLY

FIRST, PULL OUT TOP SMALL TRAY & SET ASIDE

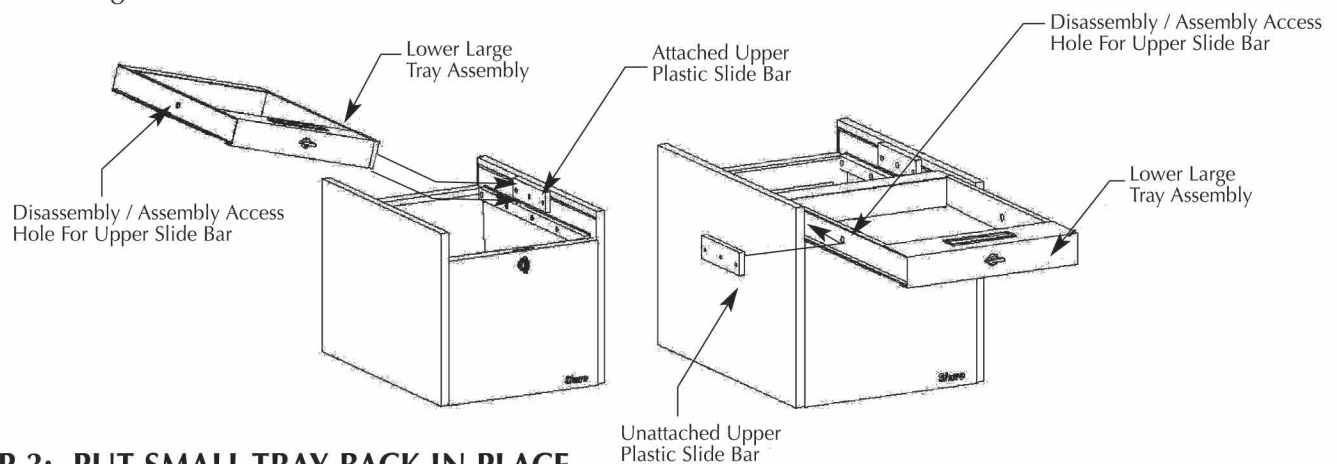
Duo-Drawer®
Model #SPT145
Model #SPT155
Model #SPT183

STEP 1: REMOVE LOWER LARGE TRAY

Slide Tray Approximately 1 3/4" Out & Remove First Screw Holding Upper Slide Through The Disassembly Hole In The Side Of The Tray. Continue Sliding The Tray & Remove (3) Screws From (1) Side Only. Lift Out Lower Large Tray & Upper Slide. Be Sure To Keep All Fasteners.

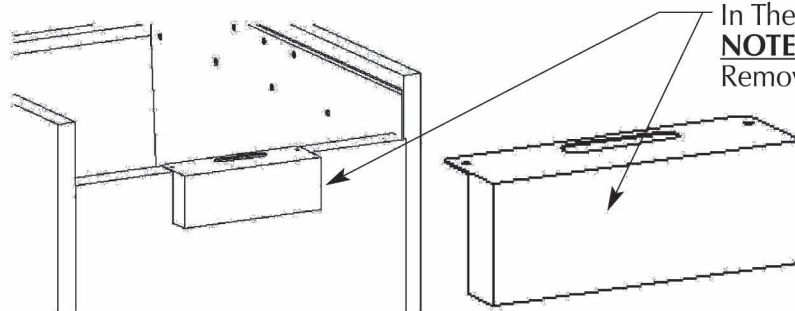
STEP 2: INSTALL NEW LARGE TRAY

Slide The New Lower Tray Assembly Back Into The Drawer Holding The Loose Slide In The Tray. Using The Access Hole In The Side Of The Tray, Screw The Unattached Upper Slide Bar Back Into The Drawer Using Same Fasteners.



STEP 3: PUT SMALL TRAY BACK IN PLACE

A Cover For The Previous Lock Has Been Provided.



Center Lock Cover Over The Lock Slot & Mark (2) Holes. Drill (2) 1/8" Holes In The Top Of The Back Panel.
NOTE: Drawing Shows Tray Removed For Clarity.

After Drilling Holes, Pull About 1" Of The Backing Material Off The Double Stick Tape On Back Of The Cover & Fold It Down Toward The Bottom Of The Cover. Using The (2) Pop Rivets Provided, Insert Them In The Holes To Locate The Cover. Now Pull The Backing Material Off Of The Double Stick Tape & Press The Cover Against The Back Panel. Using The Pop Rivet Gun, Fasten The Cover To The Drawer With The (2) Pop Rivets.

